

SPEED QUEEN 125 lb. FRONTLOAD WASHER

BUILT BETTER TO LAST LONGER



SC125 shown with optional external supply injection

MicroMaster™ System

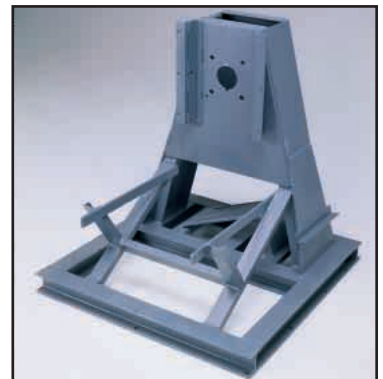
Today's on-premise laundry rooms need laundry equipment that is flexible, reliable, and delivers excellent cleanability every time. Speed Queen washer-extractors and tumblers with the MicroMaster™ System work in harmony with each other to fulfill these expectations.

As a leader in on-premise laundry technology, our electronically controlled SC125 (125 lb.) washer-extractor provides large capacity, high quality, and efficient wash performance.

Through superior manufacturing and engineering this washer-extractor is *built better to last longer* – featuring corrosion resistant stainless steel construction, heavy-duty frame, variable frequency drive, and the industry's longest warranty. The SC125 will provide a quick return on investment, reduce your utility expenses and improve efficiency.

“A” Frame

Our SC125 high strength frame is welded not bolted together. Designed for high extract speeds this frame will provide a solid machine platform for many years.



Inverter Drive

Speed Queen's technologically advanced variable frequency drive gradually ramps current inrush to greatly reduce peak amperage draw.



This smooth running drive system saves energy while providing precise control of wash and spin speeds to match different linen types.

Automatic Supply Injection

Add liquid or dry chemicals through an optional 5 compartment polypropylene dispenser (pictured) or standard hose barb connections and soap dispenser.

These flexible supply controls help reduce wasted detergents and provide more consistent laundry results.



Convenient Loading Door

The heavy-duty stainless steel door features a vacuum tight seal and strong hinge points for lasting stability. The wide opening door rests 29" from the floor for convenient loading and unloading.





Control Option

The MicroMaster™ microprocessor control provides a variety of special features for optimum convenience. It offers you a total of 30 programs to choose from including 12 factory preset programs and 18 programmable options for automatic operation. Any part or all of the programs can be erased or modified, giving you the flexibility to customize your on-premises laundry to meet specific needs. The programmable steps include three water levels, temperature-controlled fill, automatic cooldown, temperatures (80 to 190° F/27 to 88° C) available with auto heating, auto supply injection, rotation time options, step time, and extract time.

The MicroMaster™ microprocessor also provides additional time-saving conveniences, including an end-of-cycle signal, temperature readout, time remaining in cycle, and cycle count report.

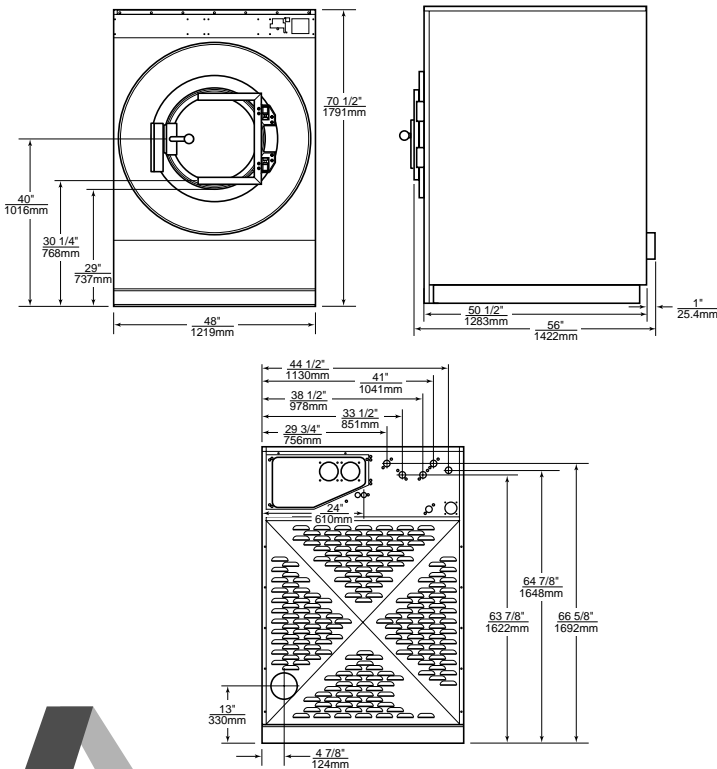
3 YEAR WARRANTY

At Speed Queen, we're confident that our drying tumblers are built better to last longer and we're offering the following limited warranty to prove it:

Through three years*
Any part on the entire machine.

Through five years*
The bearings and bearing seal assembly. Frame, cylinder, and shaft assembly.

*Parts only, labor not included. See Speed Queen Warranty Bond for specifics.



WASHER-EXTRACTOR SPECIFICATIONS

	SC125 6-speed
Dry Weight Capacity	125 lbs. (56.7 kg)
Width	48" (1219 mm)
Depth	56" (1422 mm)
Height	70-1/2" (1791 mm)
Cylinder Diameter	42" (1060 mm)
Cylinder Depth	24" (609 mm)
Cylinder Volume	19.24 cu. ft. (545 liters)
Door Opening Size	20" (508 mm)
Door Bottom to Floor	29" (737 mm)
G-Factor (Extracts)	40/85/140
Wash Speed	37 rpm
Extract (rpm)	260/380/485
Water Inlet Connection (2 each)	1" (25 mm)
Drain Diameter	3" (76 mm)
Drain Height to Floor	13" (330 mm)
Motor HP	7 HP (5.25 kW)
Electrical Specifications, Circuit Breaker Requirements and Full Load Amperages*	
Voltage	208-240/60/3
Circuit Breaker-F.L.A.	25-7.9 amps
Voltage	440-480/60/3
Circuit Breaker-F.L.A.	15-5.1 amps
Shipping Dimensions	Height: 78-3/4" (2000 mm) Width: 60" (1524 mm) Depth: 61-1/2" (1562 mm)
Net Weight	2316 lb. (1051 kg)
Shipping Wt.	2421 lb. (1098 kg)

*Standard domestic voltage 208-240/60/3 (3-wire), standard international voltage 380-415/50/3 (4-wire). Circuit breaker and amp draw data shown is for standard voltage models without auxiliary heat. Consult factory for other configurations. Manufacturer strongly recommends using a circuit breaker instead of fuses. Use 3-pole circuit breakers for 3-phase machines. Due to continuous product improvements, design and specifications subject to change without notice. Features and certifications may vary by model. The quality management systems at all Alliance Laundry Systems divisions have been awarded ISO 9001 certification. All models are all ETL, ETLc, and CE (pending on some models).



Distributed by:



www.speed-queen.com